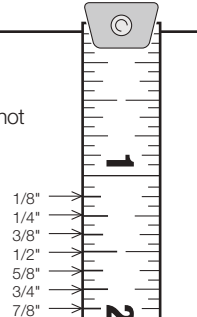


# Measuring Guide for Fabric Shades

### Tools and Tips

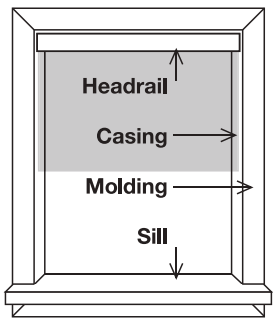
- **Steel tape measure** — do not use cloth tape
- **Pencil**
- **Round measurements to the nearest 1/8"**



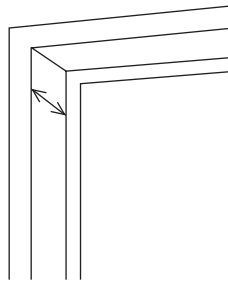
1/8"  
1/4"  
3/8"  
1/2"  
5/8"  
3/4"  
7/8"

## Choose a Mount Type: Inside Mount or Outside Mount

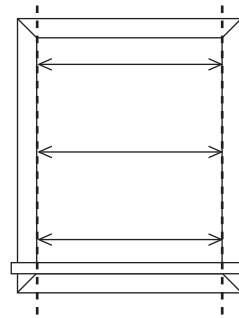
**Inside Mount** Window treatments are installed inside the window casing.



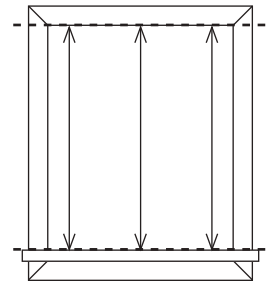
**Inside Mount Blind**



**Depth**



**Width**

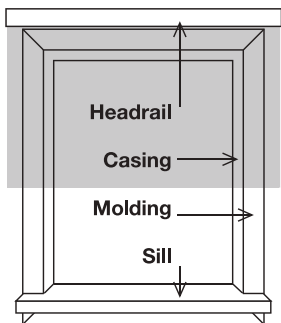


**Length**

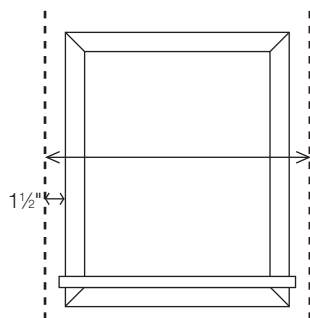
- ❶ **Measure Depth:** See chart on the next page to determine if window casing has enough depth for an inside-mount window treatment.
- ❷ **Measure Width:** Measure the inside width of window casing in three places. Record narrowest measurement.
- ❸ **Measure Length:** Measure the inside length from the top of window casing to top of the sill in three places. Record longest measurement.

**Note:** Do not take any deductions for clearance. The manufacturer will take necessary deductions for a perfect fit.

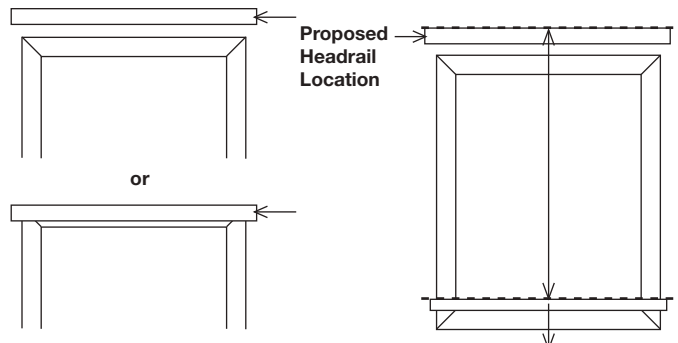
**Outside Mount** Window treatments are installed outside the window casing.



**Outside Mount Blind**



**Width**



**Headrail Location**

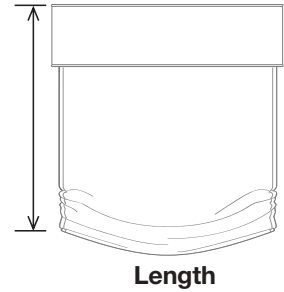
**Height**

- ❶ **Determine Headrail Location:** Window treatments are installed outside the window casing.
- ❷ **Measure Width:** Using a steel tape measure, measure exact width to be covered. We recommend 1 1/2" overlap on each side of the window (3" total) for optimum light control and privacy. Record measurement.
- ❸ **Measure Length:** Measure exact length to be covered including desired overlap (typically from 1" above the molding to bottom of sill or apron). Record measurement.

**Note:** The manufacturer makes no deductions on outside-mount installations.

## Relaxed and Balloon Shade

- ❶ The Relaxed and the Balloon Shades tend to "toe-in" at the bottom. Inside Mounts or Multiple Shades on One Headrail are not recommended.
- ❷ The Length of a Relaxed or Balloon Shade is measured to the Short Point on the bottom edge.



## Mounting Considerations

### Depth Requirements

Tailored Shades Control Type	Depth needed for Flush Mount*	Minimum depth needed for Inside Mount
Standard Cord Control	2 <sup>3</sup> / <sub>8</sub> "	3 <sup>3</sup> / <sub>4</sub> "
Continuous-loop Lift	3 <sup>1</sup> / <sub>8</sub> "	
Cordless		
Motorized Lift		

\*Flush mount includes headrail and fabric and is approximate. This can vary by fabric.